

# WM-V1

キヤノン ワイヤレスマイクロホン

Canon Wireless Microphone

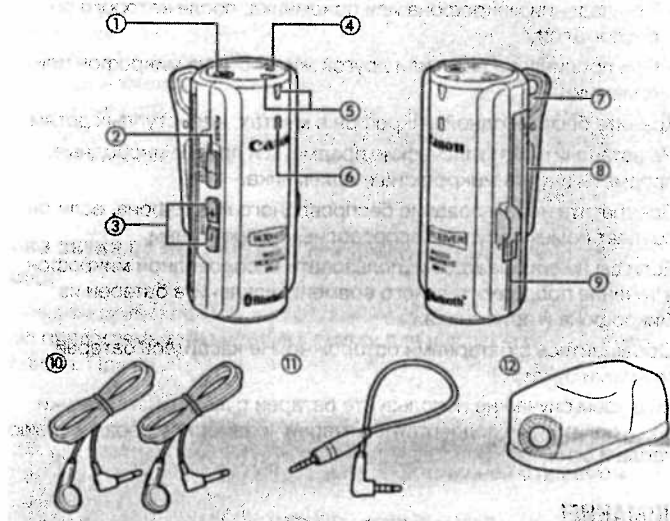
Microphone sans fil Canon

Canon Funkmikrofon

Microfono Wireless Canon

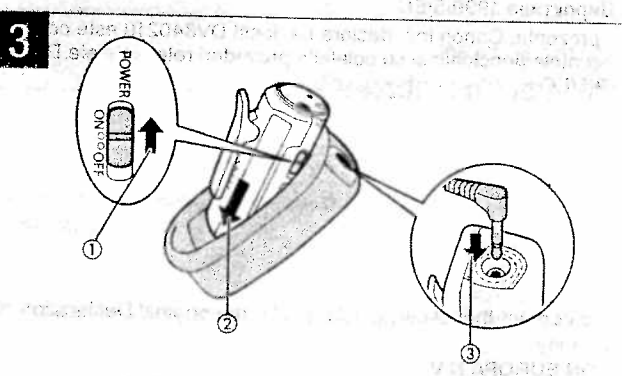
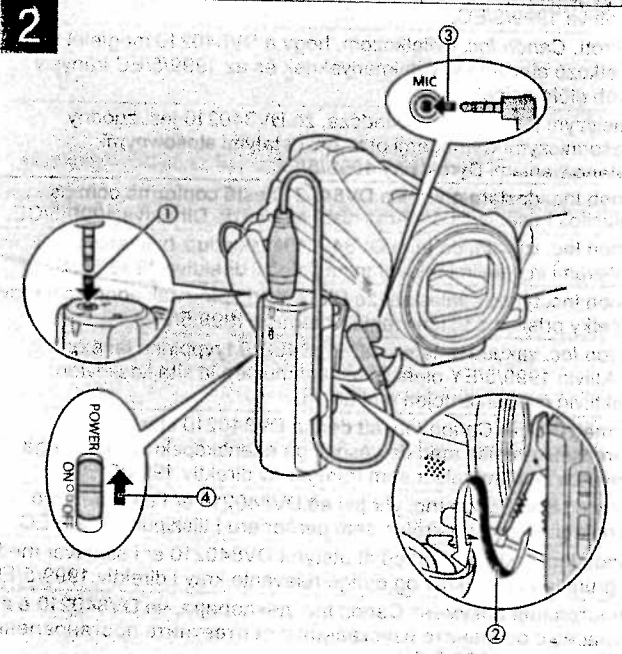
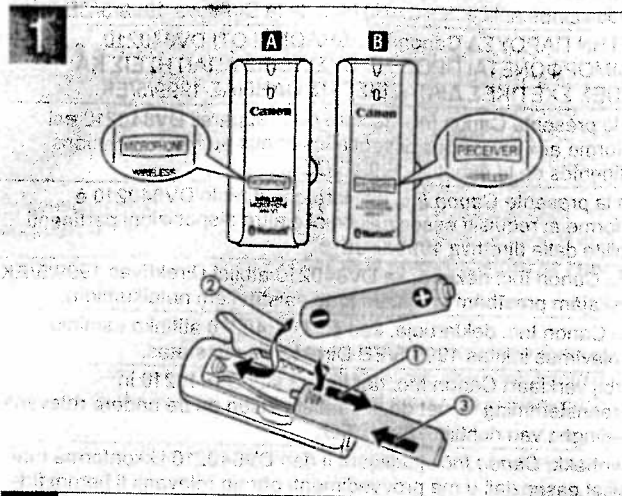
Micrófono Wireless Canon

Беспроводной микрофон Canon



**Names of parts**

- ① Earphone jack
- ② POWER switch
- ③ VOLUME +/- buttons
- ④ BATT. (battery warning) indicator
- ⑤ Communication indicator
- ⑥ Microphone element
- ⑦ Lapel clip
- ⑧ Battery compartment cover
- ⑨ Cable clamp
- ⑩ Monaural earphone (x 2)
- ⑪ Connecting cable
- ⑫ Windscreen



## Instructions

Thank you for purchasing the WM-V1 Wireless Microphone.

The WM-V1 consists of a microphone (transmitter) unit and a receiver unit, and was developed for exclusive use with Canon HD camcorders\*.

Using Bluetooth wireless communication between the microphone and receiver, the WM-V1 allows for high-quality sound recording in a variety of locations. By placing the microphone unit to the lapel area of the subject's clothing and connecting the receiver to the camcorder using the supplied connecting cable, you can record sound from faraway subjects that would be difficult to pick up using only the camcorder's built-in microphone. With camcorder models that feature the Audio Mix function, you can even mix and record sound from the WM-V1 and sound from the camcorder's built-in microphone.

\* Refer to the official Canon Web site, catalog or your camcorder's instruction manual for details about compatible camcorder models.

Please read these instructions carefully before using the microphone and keep them for future reference. Refer also to your camcorder's instruction manual.

The Bluetooth® word mark and logos are registered trademarks owned by Bluetooth SIG, Inc. and any use of such marks by Canon Inc. is under license.

### Using the windscreen

By attaching the windscreen to the microphone, you can reduce noise caused by wind or breathing. We recommend attaching the windscreen when shooting in outdoor locations.


### Inserting batteries in the microphone and receiver units

The WM-V1's units are clearly labeled "MICROPHONE" (fig. 1-A) and "RECEIVER" (fig. 1-B). Each unit requires one commercially available battery (not included). Use two AAA (LR06) alkaline batteries or two AAA (HR03) rechargeable NiMH batteries.

- 1 Slide and remove the microphone's battery compartment cover (fig. 1-1).
- 2 Insert one battery matching the + / - polarity marks (fig. 1-2).
- 3 Close the battery compartment cover (fig. 1-3).
- 4 Repeat steps 1 to 3 to insert the second battery into the receiver in the same way.

### Connecting the microphone and receiver

Attach the microphone to the subject's clothing and connect the receiver to the camcorder.

- 1 Insert the straight plug of the connecting cable into the receiver's earphone jack (fig. 2-1).
- 2 Using the lapel clip, attach the receiver to the camcorder's grip belt (fig. 2-2).
- 3 Insert the L-shaped plug of the connecting cable into the camcorder's MIC terminal (fig. 2-3).
  - If necessary, pass the connecting cable through the cable clamp.
- 4 Set the receiver's POWER switch to ON (fig. 2-4).
  - The receiver's communication indicator flashes in blue.
- 5 Set the microphone's POWER switch to ON (fig. 3-1).
  - The microphone's communication indicator flashes in blue.
  - Bluetooth wireless communication between the microphone and the receiver will be established automatically. When wireless communication is established, the communication indicators on both units will stop flashing and stay constantly on.
  - When the microphone's or the receiver's battery is getting low, the BATT. (battery warning) indicator will flash in red. Replace the battery as soon as possible.
- 6 Place the windscreen on the microphone (fig. 3-2).
  - Place the windscreen so that the earphone jack can be easily connected through the opening in the windscreen (fig. 3-3).
- 7 Using the lapel clip, attach the microphone to the subject's clothing.
  - If the microphone is not attached securely, it may rub against the subject's clothes and rustling noises may be picked up. Make sure to attach it securely.
- 8 Turn on the camcorder.
  - Unless [Audio Mix] is set to [On], the  (Wind Screen off) icon will appear on the screen.

## Before shooting

- If your camcorder is equipped with a  $\Omega$  (headphones) terminal, check that the microphone is functioning correctly by connecting to it one of the supplied earphones or a pair of headphones, speaking into the microphone, and monitoring the sound that is picked up.
- Depending on the camcorder used, you may be able to display an audio level indicator on your camcorder's screen. Use the audio level indicator to check the audio recording levels.
- Depending on the camcorder used, you may be able to manually adjust the audio recording level. Set [Mic Level] to [M, Manual].
- Depending on the camcorder used, you may be able to mix and record audio from both the WM-V1 and the camcorder's built-in microphone (Audio Mix function). Set [Audio Mix] to [On] and adjust the audio mix balance.
- Because audio from the WM-V1 is processed digitally, when the WM-V1's microphone is too close to the camcorder's built-in microphone there may be a slight lag between the sound from each microphone, creating an echo (reverberation) effect in the recorded sound. In such case, increase the distance between the WM-V1's microphone and the camcorder.

## Checking sound from the microphone using the supplied earphone

- You can check the sound picked up with the microphone by connecting one of the supplied earphones to the microphone's earphone jack. Adjust the volume as necessary with the VOLUME +/- buttons. (The volume will be reset to its default value when the microphone unit is turned off.)
- You can connect both supplied earphones to the receiver and the microphone units to allow transceiver communication.
- Because audio from the WM-V1 is processed digitally, there may be a slight lag between the actual sound and the audio you hear from the earphone, creating an echo effect. This is not a malfunction.

## Bluetooth wireless communication

- Bluetooth wireless communication is set up to be established automatically only between the microphone and receiver units of the WM-V1. Bluetooth wireless communication with devices other than the WM-V1 is not supported.
- If the microphone is too close to the camcorder, RF interference may cause noise in the recorded sound. Keep the microphone at least 1 m (3 ft.) away from the camcorder during use.

## Status of the communication indicator

| Status   | Microphone      | Receiver |
|--|-----------------|----------|
| Unit is turned ON                                    | Flashing        |          |
| Wireless communication is established                | Continuously on |          |
| Microphone unit is turned OFF (receiver is still ON) | Off*            | Flashing |
| Receiver unit is turned OFF (microphone is still ON) | Flashing        | Off*     |

\* The indicator will dim gradually until it is completely off.

## After using the WM-V1

- 1 Turn off the camcorder.
- 2 Turn off the microphone and receiver.
- 3 Disconnect the connecting cable from the camcorder's MIC terminal.
- 4 Remove the receiver from the camcorder.
- 5 Disconnect the connecting cable from the receiver.

## Maintenance

- Clean the units by dusting them lightly with a soft, dry cloth. Do not use thinner, benzene, alcohol, or other volatile cleaners or solvents.
- Keep the earphone jacks clean at all times. The microphone will not work properly if the terminals are dirty.
- The windscreen cannot be washed. If it gets wet, pat it with a soft, dry cloth and let it dry naturally.